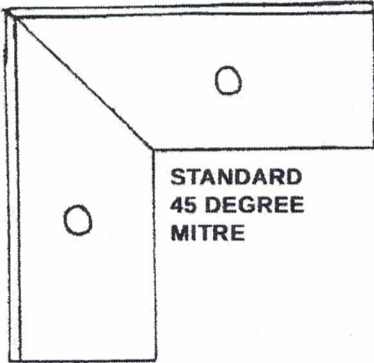
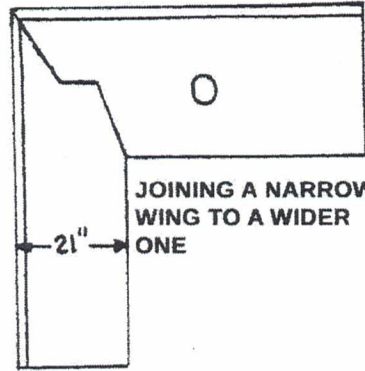


**NIAGARA COUNTER TOPS LTD.**

**VARIOUS STYLES OF MITRES WITH A BACKSPLASH**

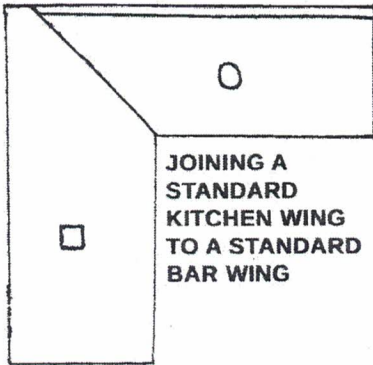


**STANDARD 45 DEGREE MITRE**



**JOINING A NARROW WING TO A WIDER ONE**

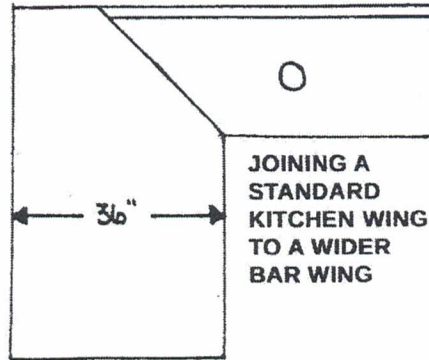
**NOTE: YOU CANNOT HAVE A POSTFORMED BACKSPLASH ON THE 21" DEPTH WING WITH A STANDARD MITRE. YOU CAN USE A SQUARE BACKSPLASH OR HAVE A ZIGZAG MITRE.**



**JOINING A STANDARD KITCHEN WING TO A STANDARD BAR WING**

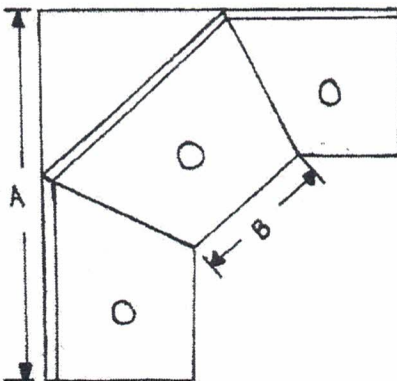
**NOTE: THE BAR WING IS WIDER AND RESULTS IN AN OVERHANG EQUAL TO THE DIFFERENCE IN SIZES.**

**\*\*YOUR MEASUREMENT WILL INCLUDE THE OVERHANG OF THE DIFFERENCE IN SIZES.**



**JOINING A STANDARD KITCHEN WING TO A WIDER BAR WING**

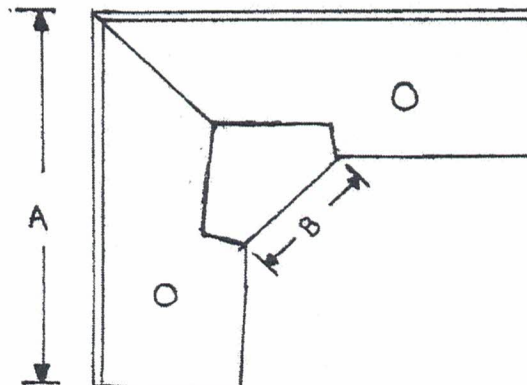
**DOUBLE MITRE WITH SHELF**



**NOTE: MEASUREMENTS GO TO THE CORNER E.G. A**

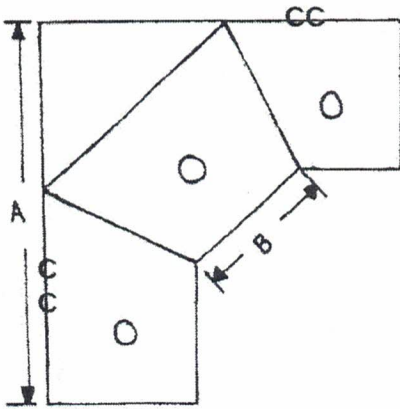
**ALSO PLEASE INCLUDE EITHER THE CABINET SIZE IN THE CORNER OR THE COUNTER TOP SIZE ON THE 45 DEGREE ANGLE E.G. B**

**PIE SHAPED MITRE**



NIAGARA COUNTER TOPS LTD.  
VARIOUS STYLES OF MITRES  
WITHOUT A BACKSPLASH

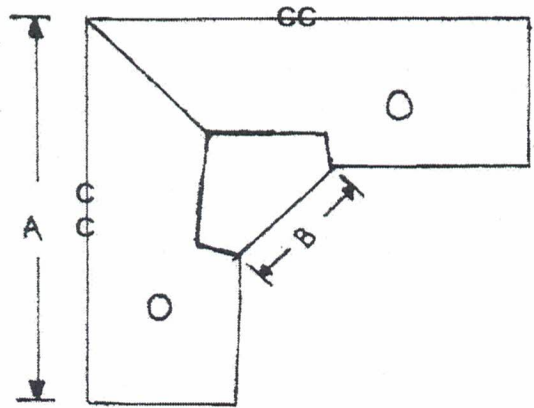
DOUBLE MITRE WITH FLAT SHELF



**NOTE:** MEASUREMENTS MUST GO TO THE CORNER E.G. A

ALSO PLEASE INCLUDE THE CABINET SIZE IN THE CORNER OR THE COUNTERTOP SIZE ON THE 45 DEGREE E.G. B

PIE SHAPED MITRE



DOUBLE MITRE WITH OVERSIZED MIDDLE SECTION

